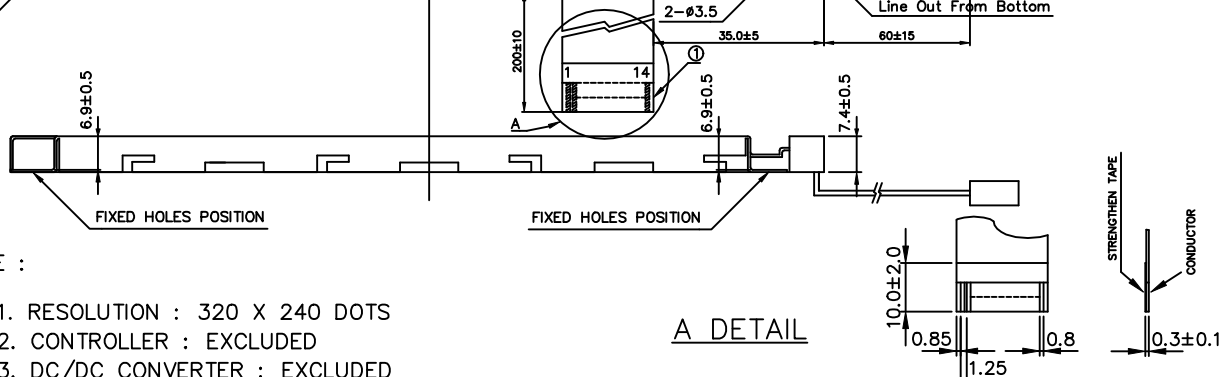


PIN ASSIGNMENT OF I/O CONNECTION

Pin No.	SYMBOL	LEVEL	FUNCTION
1	D0	H/L	Display Data
2	D1	H/L	Display Data
3	D2	H/L	Display Data
4	D3	H/L	Display Data
5	DISPOFF	H/L	H: ON/L: OFF
6	FRAME	H	FIRST LINE MARKER
7	NC	-	NO CONNECTION
8	LOAD	H/L	DATA LATCH
9	CP	H/L	DATA SHIFT
10	VDD	-	POWER SUPPLY FOR LOGIC
11	VSS	-	GND
12	VEE	-	POWER SUPPLY FOR LC
13	VO	-	OPERATING VOLTAGE LC DRIVING
14	FGND	-	FRONT PANEL GROUND

PIN ASSIGNMENT OF CCFL CONNECTION

Pin No.	SYMBOL	LEVEL	FUNCTION
1	HOT	-	Power Supply for CCFL(HOT)
2	NC	-	No Connection
3	NC	-	No Connection
4	GND	-	Power Supply for CFL(GND)



NOTE :

- RESOLUTION : 320 X 240 DOTS
- CONTROLLER : EXCLUDED
- DC/DC CONVERTER : EXCLUDED
- ① INTERFACE CONNECTOR  
FFC, N14 P1.25mm
- ② CCFT CONNECTOR  
M63M83-04(MITSUMI)
- TOLERANCE NOT SPECIFIED : ±0.5mm

產品編號	LTBHB_203_K	南亞塑膠工業股份有限公司 NAN YA PLASTICS CORPORATION		
NAME	DATE	TITLE	製品圖	
APPROVE		DWG-NO	TB-X203XK	Rev.A
CHECK				
DESIGN				
DRAW	MAY PING	87.12.09	UNIT : mm SCALE : 1/1	