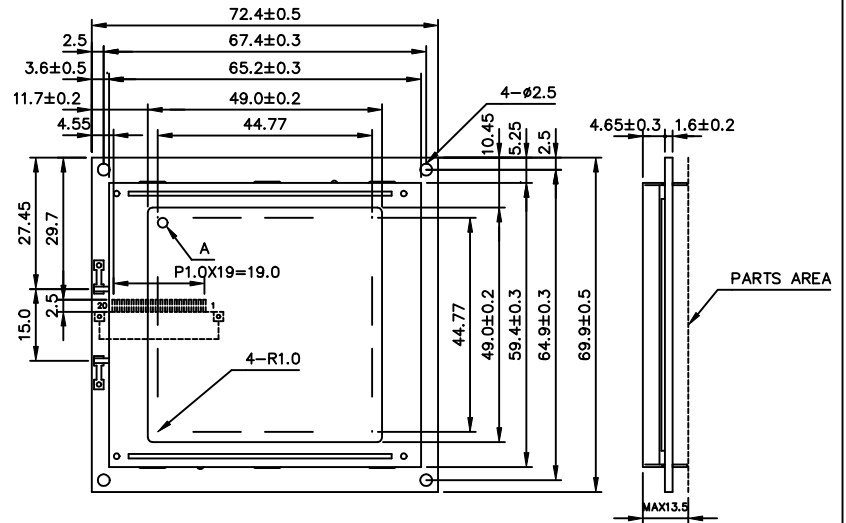
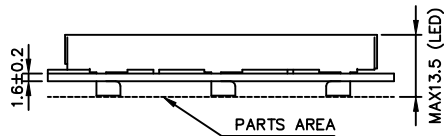
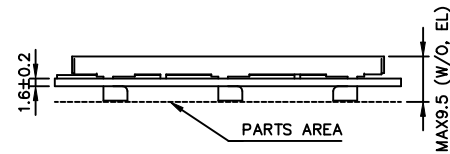


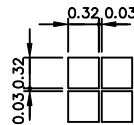
LED B.L.



W/O B.L.
EL B.L.



Pin No.	Symbol	Function
1	VSS	Ground
2	VDD	Power Supply for Logic Circuit
3	VEE	Power Supply for LCD Circuit
4	WR	Data Write
5	RD	Data Read
6	CE	Chip Enable
7	C/D	WR="L",C/D="H" : Command Write WR="L",C/D="L" : Data Write RD="L",C/D="H" : Status Read RD="L",C/D="L" : Data Read
8	RESET	Controller Reset
9-16	D0-D7	Data Bus Line
17	FS	Font Select Connect to VDD : 6x8 Pixels/Character Connect to VSS : 8x8 Pixels/Character
18	NC	No Connection
19	LEDK	LED or EL Backlight
20	LEDA	LED or EL Backlight



A DETAIL

NOTES:

- 1.RESOLUTION: 128X128 DOTS
- 2.CONTROLLER: T6963C(TOSHIBA)
- 3.DC/DC: WITHOUT
- 4.BACKLIGHT: LED(YELLOW GREEN)
EL(WHITE)

產品編號		LM_76_026	南亞塑膠工業股份有限公司	
		NAME	NAN YA PLASTICS CORPORATION	
		DATE	製品圖	
APPROVE			TITLE	
CHECK			DWG-NO	MX-X026X Rev.A
DESIGN			UNIT : mm	
DRAW	MAY PING	85.05.07	SCALE : 2/3	