

NAN YA PLASTICS CORP.
ELEC. MATERIAL DIV.
LCD DEPARTMENT

SPECIFICATION

SPEC. NO. : LM035-0
DATE : NOV.20.1997
SHEET NO. : 1/19

U.S. MARKETING ARM:

MARK PRODUCTS CORPORATION
800 N. EDGEWOOD AVENUE
WOOD DALE, IL 60191
TEL: 630-787-9089
FAX: 630-787-9015

SPECIFICATION OF
40x1 LCD MODULE
PRODUCT NO.: LM_J3_035____

SPEC. NO.: LM035-0

APPROVED BY

EDITED ON : NOV.20.1997

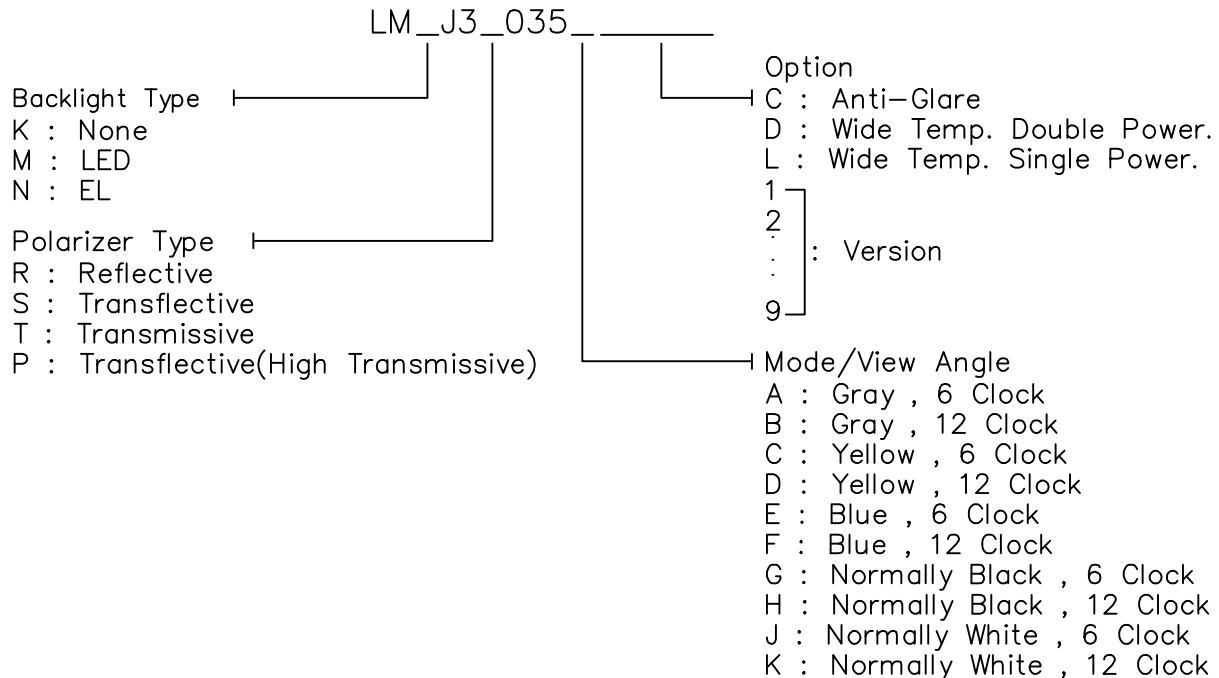
SALES MANAGER	DESIGN MANAGER	PERSON IN CHARGE

REV/DATE	RO/ 11.20.97'					APP	CHK	BY
----------	------------------	--	--	--	--	-----	-----	----

1. MECHANICAL DATA

- (1) Product No. LM_J3_035_ ____
- (2) Module Size 182.0 (W)mm x 33.5 (H)mm x MAX14.5 (D)mm
 (LED B.L.)
 182.0 (W)mm x 33.5 (H)mm x MAX9.5 (D)mm
 (W/O B.L.)
- (3) Dot Size 0.6 (W)mm x 0.7 (H)mm
- (4) Dot Pitch 0.65 (W)mm x 0.75 (H)mm
- (5) Number of Characters 40 (W) x 1 (H)Characters
- (6) Character Format 5 (W) x 11 (H)Dots
- (7) Duty 1/11
- (8) LCD Display Mode STN: Gray Mode Yellow Mode Blue Mode
 FSTN: Black and White(Normal White/Positive Image)
 Black and White(Normal Black/Negative Image)
 Rear Polarizer: Reflective Transflective Transmissive
- (9) Viewing Direction 6 O'clock 12 O'clock ____O'clock
- (10) Backlight W/O LED EL
- (11) Weight W/O B/L: 64.6g
 LED B/L: 88.0g

Note :



REV/DATE	R0/ 11.20.97'					APP	CHK	BY
----------	------------------	--	--	--	--	-----	-----	----

2. ABSOLUTE MAXIMUM RATINGS

(1) ELECTRICAL ABSOLUTE RATINGS

$V_{SS}=0V$ Standard

	SYMBOL	MIN	MAX	UNIT	COMMENT
Power Supply for Logic	VDD-VSS	-0.3	6.5	V	
Input Voltage	VI	-0.3	VDD	V	
Static Electricity	-	-	-	-	Note 1

Note 1 LCM should be grounded during handling LCM.

(2) ENVIRONMENTAL ABSOLUTE MAXIMUM RATINGS

ITEM	NORMAL TEMP.				WIDE TEMP.			
	OPERATING		STORAGE		OPERATING		STORAGE	
	MIN.	MAX.	MIN.	MAX.	MIN.	MAX.	MIN.	MAX.
Ambient Temperature	0	50	-20	70	-20	70	-30	80
Humidity (Without Condensation)	Note 1,3		Note 2,3		Note 3,4		Note 3,5	

Note 1 $T_a \leq 50^\circ C$: 85%RH max
 $T_a > 50^\circ C$: Absolute humidity must be lower
 than the humidity of 85%RH at $50^\circ C$

Note 2 T_a at $-20^\circ C$ will be < 48hrs, at $70^\circ C$ will be < 120hrs

Note 3 Background color changes slightly depending on ambient temperature.
 This phenomenon is reversible.

Note 4 $T_a \leq 70^\circ C$: 75%RH max
 $T_a > 70^\circ C$ Absolute humidity must be lower
 than the humidity of 75%RH at $70^\circ C$

Note 5 T_a at $-30^\circ C$ will be < 48hrs, at $80^\circ C$ will be < 120hrs

REV/DATE	R0/ 11.20.97'					APP	CHK	BY
----------	------------------	--	--	--	--	-----	-----	----

3. ELECTRICAL CHARACTERISTICS

(FOR NORMAL TEMPERATURE of LCM)

(VDD=5V±10%)

ITEM	SYMBOL	CONDITION	MIN.	TYP.	MAX.	UNIT
Input Voltage	V _{IH}	H level	0.8VDD	—	VDD	V
	V _{IO}	L level	0	—	0.2VDD	V
Recommended LC Driving Voltage (NORMAL TEMP. LCM)	VDD-V _O (V _{op})	0℃	—	3.9	4.3	V
		25℃	3.5	3.8	4.2	
		50℃	3.2	3.5	—	
Recommended LC Driving Voltage (WIDE TEMP. and DOUBLE POWER LCM)	VDD-V _O (V _{op})	-20℃	4.9	5.6	6.4	V
		0℃	4.7	5.5	6.3	
		25℃	4.6	5.4	6.2	
		70℃	4.0	4.7	5.4	
Power Supply Current	I _{DD}	VDD = 5.0V	—	—	2.8	mA
LED Power Supply Current	I _{LED}	V _{BL} = 5Vdc (R _{BL} = 5Ω)	—	200	—	mA

4.1 OPTICAL CHARACTERISTICS

(FOR NORMAL TEMPERATURE MODE LCM)

AT V_{OP}

ITEM MODE		Cr(Contrast Ratio)		θ (Viewing Angle)		ϕ (Viewing Angle)	
		25℃		25℃		25℃	
		MIN.	TYP.	MIN.	TYP.	MIN.	TYP.
R	A	3.0	4.0	30	50	20	25
	C	3.5	7.0	40	60	25	35
	J						
S	A	2.5	3.5	25	45	20	30
	C	3.5	6.0	35	55	20	30
	J						
T	E/F	2.0	3.0	25	40	20.	25
	C/D	2.0	4.5	25	40	20	25
NOTE		NOTE6		NOTE5			

AT $\phi=0^\circ$ $\theta=0^\circ$

ITEM	SYMBOL	CONDITION	MIN.	TYP.	MAX.	UNIT	NOTE
Response Time (rise)	Tr	0℃	-	460	900	ms	NOTE 2
		25℃	-	110	220		
		50℃	-	65	130		
Response Time (fall)	Tf	0℃	-	420	800	ms	NOTE 2
		25℃	-	140	250		
		50℃	-	90	155		

NOTE :

- R: REFLECTIVE
- S: TRANFLECTIVE
- T: TRANSMISSIVE
- A: GRAY
- C: YELLOW
- E: BLUE
- G: NORMALLY BLACK
- J: NORMALLY WHITE

4.2 OPTICAL CHARACTERISTICS

(FOR WIDE TEMPERATURE MODE LCM)

AT Vop

MODE	ITEM	Cr(Contrast Ratio)		θ (Viewing Angle)		ϕ (Viewing Angle)	
		25℃		25℃		25℃	
		MIN.	TYP.	MIN.	TYP.	MIN.	TYP.
R	A						
	C	5.5	9	50	80	25	40
	J						
S	A						
	C						
	J						
T	E						
	G						
NOTE		NOTE6		NOTE5			

AT $\phi=0^\circ$ $\theta=0^\circ$

ITEM	SYMBOL	CONDITION	MIN.	TYP.	MAX.	UNIT	NOTE
Response Time (rise)	Tr	-20℃	-	1000	2000	ms	NOTE 2
		0℃	-	180	360		
		25℃	-	80	160		
		70℃	-	50	100		
Response Time (fall)	Tf	-20℃	-	1500	2400	ms	NOTE 2
		0℃	-	300	560		
		25℃	-	90	190		
		70℃	-	50	100		

NOTE :

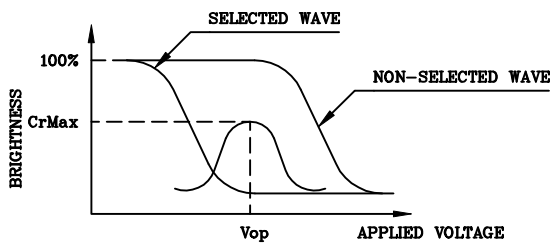
R: REFLECTIVE
 S: TRANSFLECTIVE
 T: TRANSMISSIVE
 A: GRAY

C: YELLOW
 E: BLUE
 G: NORMALLY BLACK
 J: NORMALLY WHITE

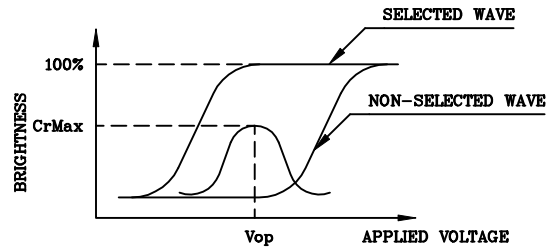
REV/DATE	R0/ 11.20.97'					APP	CHK	BY
----------	------------------	--	--	--	--	-----	-----	----

(NOTE 1)

Definition of Operation Voltage(Vop)



(positive type)



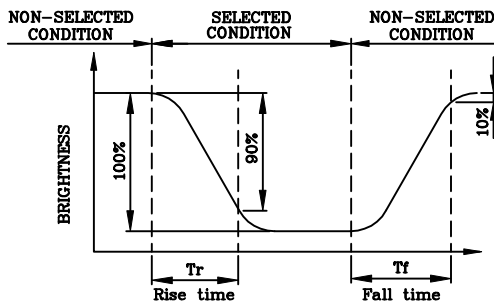
(negative type)

*Conditions

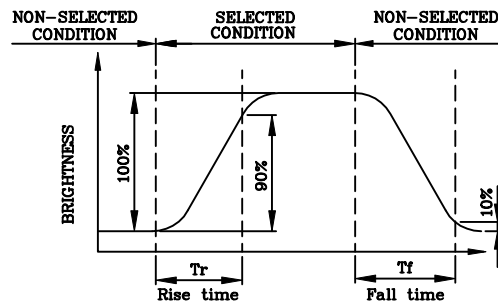
Viewing Angle : 0
 Frame Frequency : 70Hz
 Applied Waveform : 1/N duty, 1/a bias

(NOTE 2)

Definition of Response Time(Tr,Tf)



(positive type)



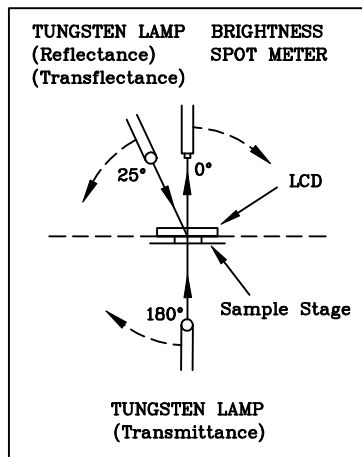
(negative type)

*Conditions

Operating Voltage : Vop
 Viewing Angle (θ,φ) : (0,0)
 Frame Frequency : 70Hz
 Applied Waveform : 1/N duty, 1/a bias

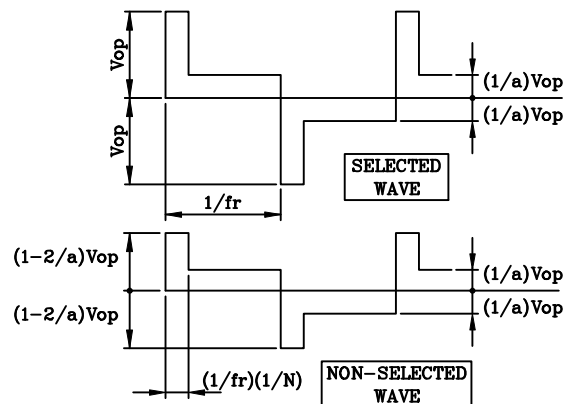
(NOTE 3)

Description of Measuring Equipment and Driving Waveforms



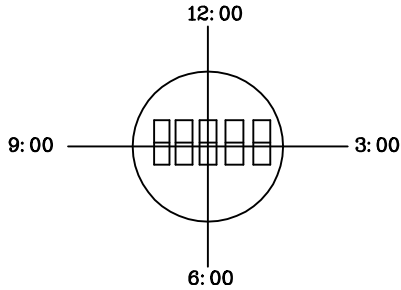
CONST.
 TEMP.
 CHAMBER

Multiplex Driving (1/N duty, 1/a bias)



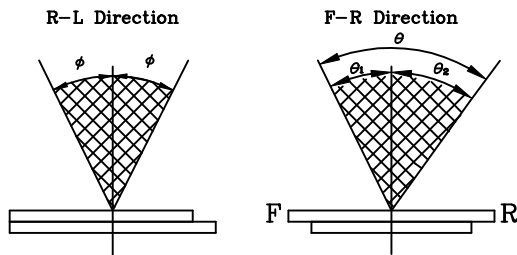
(NOTE 4)

Definition of Viewing Direction



(NOTE 5)

Definition of Viewing Angle



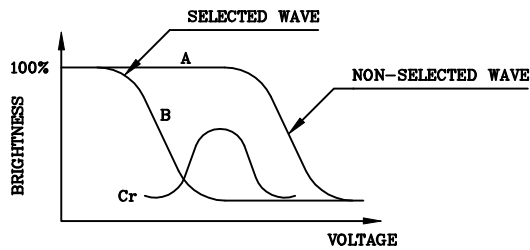
$$\theta = \theta_1 + \theta_2$$

*Conditions

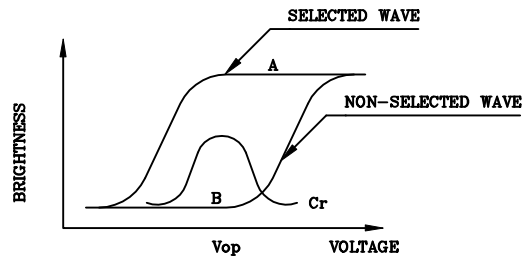
Operating Voltage : V_{op}
 Frame Frequency : 70Hz
 Applied Waveform : 1/N duty, 1/a bias
 Contrast Ratio : larger than 2

(NOTE 6)

Definition of Contrast Ratio (Cr)



(positive type)



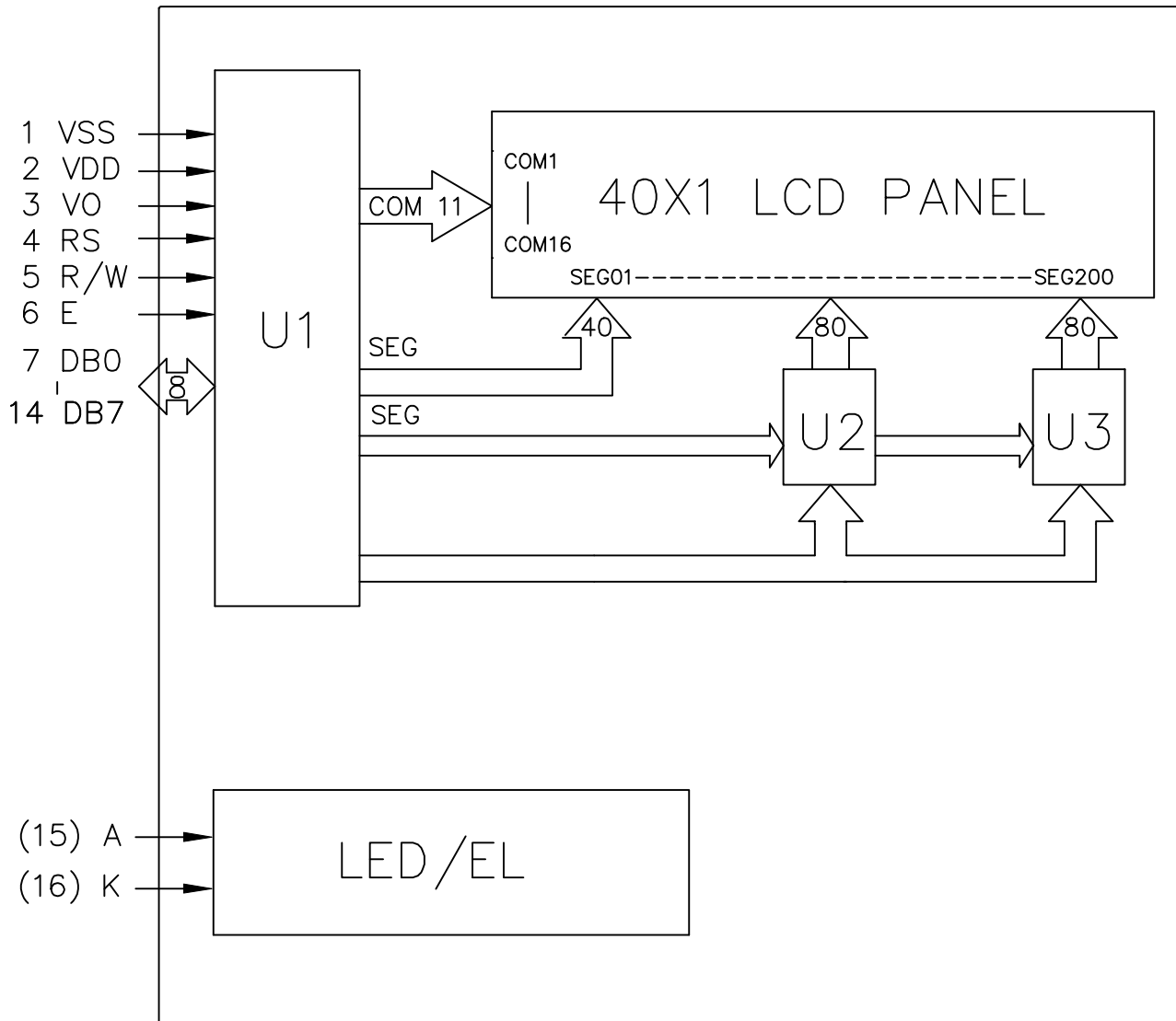
(negative type)

$$\text{Contrast Ratio : } Cr = A/B$$

*Conditions

Viewing Angle : 0
 Frame Frequency : 70Hz
 Applied Waveform : 1/N duty, 1/a bias

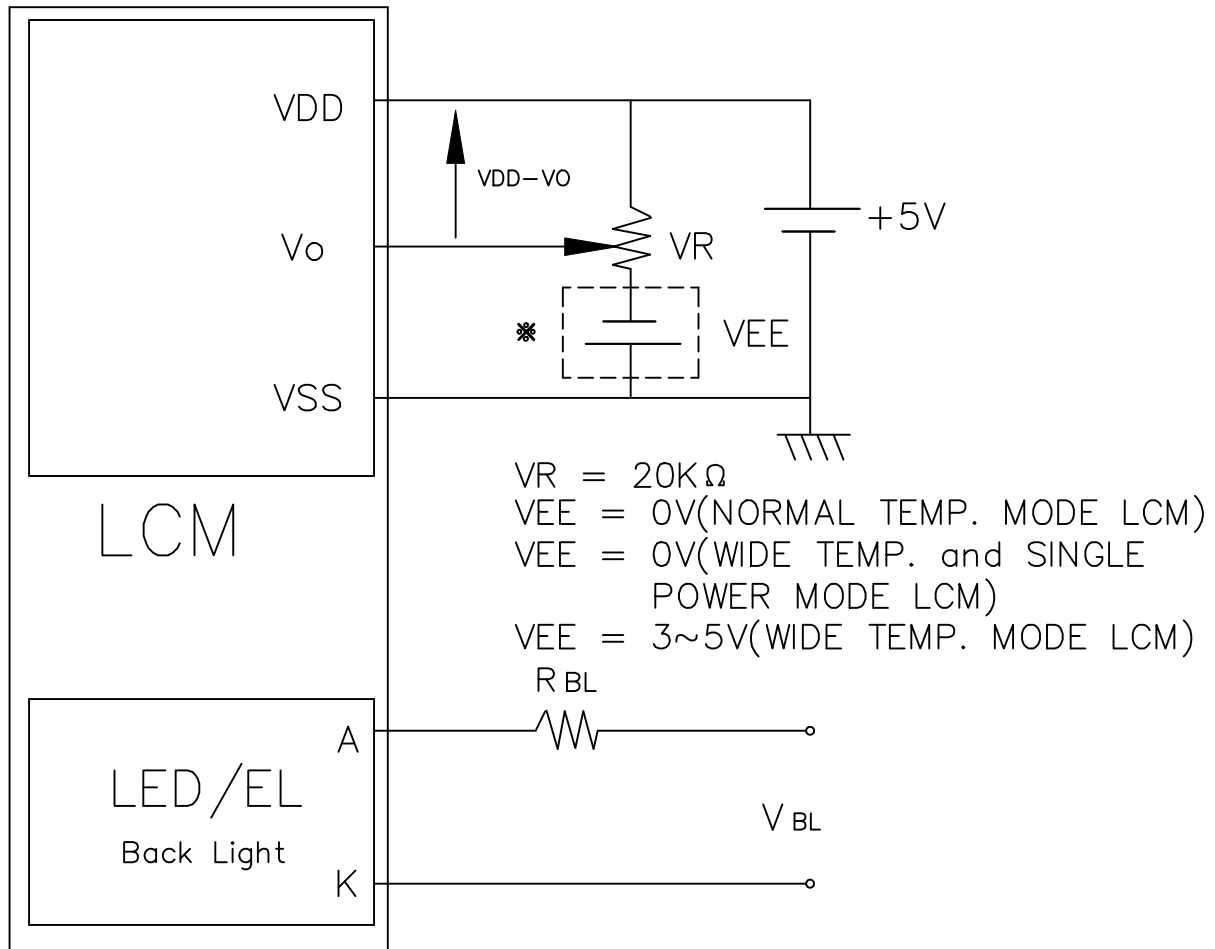
5. BLOCK DIAGRAM



6. INTERNAL PIN CONNECTION

PinNo.	Symbol	Level	Function
1	V _{SS}	—	0V
2	V _{DD}	—	+5V
3	V ₀	—	—
4	RS	H/L	L: INSTRUCTION CODE INPUT H: DATA INPUT
5	R/W	H/L	H: DATA READ (FROM LCM TO MPU) L: DATA WRITE (FROM MPU TO LCM)
6	E	H, H->L	ENABLE SIGNAL
7	DB0	H/L	DATA BUS LINE
8	DB1	H/L	
9	DB2	H/L	
10	DB3	H/L	
11	DB4	H/L	
12	DB5	H/L	
13	DB6	H/L	
14	DB7	H/L	
(15)	A	—	POWER SUPPLY FOR LED/EL
(16)	K	—	

7. POWER SUPPLY



Recommended Value for R_{BL} and V_{BL}

ITEM Back Light Interface	R_{BL}		V_{BL}	
	LED	EL	LED	EL
14 PIN (A,K)	5 Ω	0 Ω	5V _{Dc}	110 V _{Ac} 400Hz
16 PIN	0 Ω			

8. TIMING CHARACTERISTICS

Item	Symbol	Test Condition	Min.	Typ.	Max.	Unit
Enable cycle time	t_{cyc}	Fig.a, Fig.b	500	-	-	ns
Enable pulse width	PW_{EH}	Fig.a, Fig.b	230	-	-	ns
Enable rise/fall time	t_{Er}, t_{Ef}	Fig.a, Fig.b	-	-	20	ns
RS, R/W set up time	t_{AS}	Fig.a, Fig.b	40	-	-	ns
RS, R/W hold time	t_{H1}	Fig.a, Fig.b	10	-	-	ns
Data set up time	t_{DSW}	Fig.a	60	-	-	ns
Data output delay time	t_{DDR}	Fig.b	-	-	120	ns
Data write hold time	t_{H2}	Fig.a	10	-	-	ns
Data read hold time	t_{H2}	Fig.b	5	-	-	ns

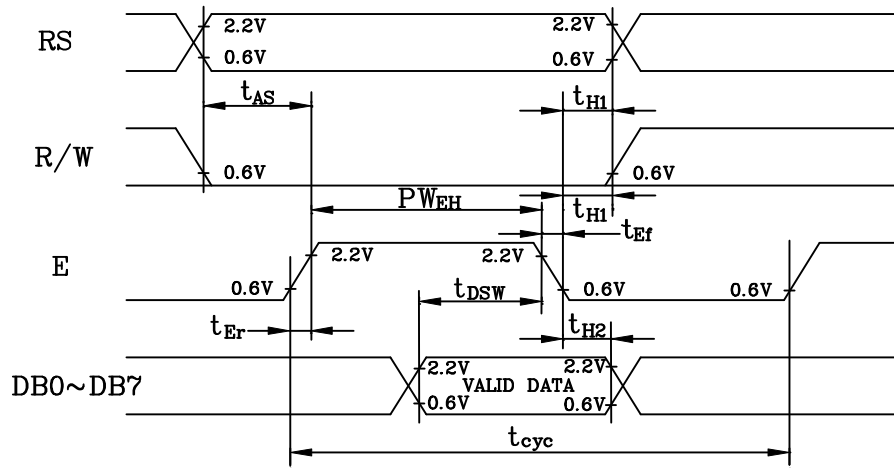


Fig.a Interface timing (data write)

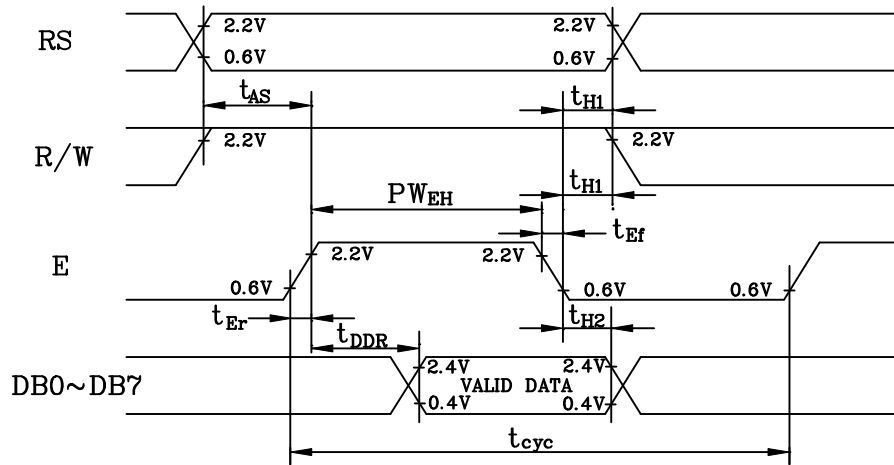


Fig.b Interface timing (data read)

9.CONTROL and DISPLAY COMMAND

COMMAND	RS	R/W	DB ₇	DB ₆	DB ₅	DB ₄	DB ₃	DB ₂	DB ₁	DB ₀	EXCUTION TIME (FOSC=250kHz)	REMARK																		
DISPLAY CLEAR	L	L	L	L	L	L	L	L	L	H	1.64ms																			
RETURN HOME	L	L	L	L	L	L	L	L	H	X	1.64ms	CURSOR MOVE TO FIRST DIGIT																		
ENTRY MODE SET	L	L	L	L	L	L	L	H	I/D	SH	40MS	•I/D: SET CURSOR MOVE DIRECTION <table border="1"> <tr><td>I/D</td><td>H</td><td>INCREASE</td></tr> <tr><td>I/D</td><td>L</td><td>DECREASE</td></tr> </table> •SH: SPECIFIES SHIFT OF DISPLAY <table border="1"> <tr><td>SH</td><td>H</td><td>DISPLAY IS SHIFTED</td></tr> <tr><td>SH</td><td>L</td><td>DISPLAY IS NOT SHIFTED</td></tr> </table>	I/D	H	INCREASE	I/D	L	DECREASE	SH	H	DISPLAY IS SHIFTED	SH	L	DISPLAY IS NOT SHIFTED						
I/D	H	INCREASE																												
I/D	L	DECREASE																												
SH	H	DISPLAY IS SHIFTED																												
SH	L	DISPLAY IS NOT SHIFTED																												
DISPLAY ON/OFF	L	L	L	L	L	L	H	D	C	B	40MS	•DISPLAY <table border="1"> <tr><td>D</td><td>H</td><td>DISPLAY ON</td></tr> <tr><td>D</td><td>L</td><td>DISPLAY OFF</td></tr> </table> •CURSOR <table border="1"> <tr><td>C</td><td>H</td><td>CURSOR ON</td></tr> <tr><td>C</td><td>L</td><td>CURSOR OFF</td></tr> </table> •BLINKING <table border="1"> <tr><td>B</td><td>H</td><td>BLINKING ON</td></tr> <tr><td>B</td><td>L</td><td>BLINKING OFF</td></tr> </table>	D	H	DISPLAY ON	D	L	DISPLAY OFF	C	H	CURSOR ON	C	L	CURSOR OFF	B	H	BLINKING ON	B	L	BLINKING OFF
D	H	DISPLAY ON																												
D	L	DISPLAY OFF																												
C	H	CURSOR ON																												
C	L	CURSOR OFF																												
B	H	BLINKING ON																												
B	L	BLINKING OFF																												
SHIFT	L	L	L	L	L	H	S/C	R/L	X	X	40MS	<table border="1"> <tr><td>SC</td><td>H</td><td>DISPLAY SHIFT</td></tr> <tr><td>SC</td><td>L</td><td>CURSOR MOVE</td></tr> </table> <table border="1"> <tr><td>R/L</td><td>H</td><td>RIGHT SHIFT</td></tr> <tr><td>R/L</td><td>L</td><td>LEFT SHIFT</td></tr> </table>	SC	H	DISPLAY SHIFT	SC	L	CURSOR MOVE	R/L	H	RIGHT SHIFT	R/L	L	LEFT SHIFT						
SC	H	DISPLAY SHIFT																												
SC	L	CURSOR MOVE																												
R/L	H	RIGHT SHIFT																												
R/L	L	LEFT SHIFT																												
SET FUNCTION	L	L	L	L	H	DL	N	F	X	X	40MS	<table border="1"> <tr><td>DL</td><td>H</td><td>8 DITS INTERFACE</td></tr> <tr><td>DL</td><td>L</td><td>4 BITS INTERFACE</td></tr> </table> <table border="1"> <tr><td>N</td><td>H</td><td>2 LINE DISPLAY</td></tr> <tr><td>N</td><td>L</td><td>1 LINE DISPLAY</td></tr> </table> <table border="1"> <tr><td>F</td><td>H</td><td>5 X 10 DOTS</td></tr> <tr><td>F</td><td>L</td><td>5 X 7 DOTS</td></tr> </table>	DL	H	8 DITS INTERFACE	DL	L	4 BITS INTERFACE	N	H	2 LINE DISPLAY	N	L	1 LINE DISPLAY	F	H	5 X 10 DOTS	F	L	5 X 7 DOTS
DL	H	8 DITS INTERFACE																												
DL	L	4 BITS INTERFACE																												
N	H	2 LINE DISPLAY																												
N	L	1 LINE DISPLAY																												
F	H	5 X 10 DOTS																												
F	L	5 X 7 DOTS																												
SET CG RAM ADDRESS	L	L	L	H	CG RAM address (corresponds to cursor address)					40MS	CG RAM Data is sent and received after this setting																			
SET DD RAM ADDRESS	L	L	H	DD RAM address					40MS	DD RAM Data is sent and received after this setting																				
READ BUSY FLAG & ADDRESS	L	H	BF	Address Counter used for Both DD & CG RAM address					0MS	<table border="1"> <tr><td>BF</td><td>H</td><td>Busy</td></tr> <tr><td>BF</td><td>L</td><td>Ready</td></tr> </table> -Reads BF indication internal operating is being performed. -reads address counter contents	BF	H	Busy	BF	L	Ready														
BF	H	Busy																												
BF	L	Ready																												
WRITE DATA	H	L	Write Data					46MS	Write data into DD or CG RAM																					
READ DATA	H	H	Read Data					46MS	Read data form DD or CGRAM																					

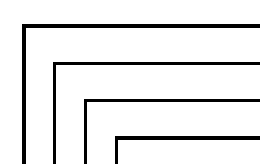
X : Don't care

10.DISPLAY PATTERN (40x1)

Display Data RAM address
 Versus Character Position

01	02	03	04	05	06	07	08	09	10	11	12	13	14	15	16	17	36	37	38	39	40
00	01	02	03	04	05	06	07	08	09	0A	0B	0C	0D	0E	0F	10	23	24	25	26	27

11.CHARACTER FONT TABLE

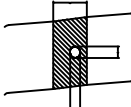
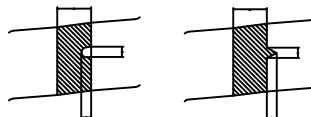
	0	0	0	0	0	0	0	1	1	1	1	1	1
	0	0	0	1	1	1	1	0	0	1	1	1	1
	0	1	1	0	0	1	1	1	1	0	0	1	1
	0	0	1	0	1	0	1	0	1	0	1	0	1
XXXX0000			0	@	P	`	P		-	夕	ミ	α	ρ
XXXX0001		!	1	A	Q	a	q	。	ア	チ	△	△	Q
XXXX0010		"	2	B	R	b	r	「	イ	ツ	×	β	θ
XXXX0011		#	3	C	S	c	s	」	ウ	テ	ε	ε	ω
XXXX0100		\$	4	O	T	d	t	、	エ	ト	ハ	Ω	Ω
XXXX0101		%	5	E	U	e	u	・	オ	ナ	1	ε	Ü
XXXX0110		&	6	F	V	f	v	ヲ	カ	ニ	ヨ	ρ	Σ
XXXX0111		'	7	G	W	g	w	フ	キ	ヌ	ラ	Q	π
XXXX1000		(8	H	X	h	x	イ	ク	ネ	リ	ル	Σ
XXXX1001)	9	I	Y	i	y	ウ	ケ	ル	リ	ル	U
XXXX1010		*	:	J	Z	j	z	エ	コ	ハ	レ	i	〒
XXXX1011		+	;	K	[k	[オ	サ	ヒ	ロ	*	〒
XXXX1100		,	<	L	¥	l	l	ハ	シ	フ	ワ	φ	円
XXXX1101		-	=	M]	m]	ユ	ズ	ハ	ン	も	÷
XXXX1110		.	>	N	^	n	^	ヨ	セ	ホ	°	円	
XXXX1111		/	?	O	_	o	_	ッ	ッ	マ	°	ö	■

12. RELIABILITY TEST

NO	ITEM	CONDITION			STANDARD	NOTE
1	High Temp. Storage	70°C	120HR		Appearance without defect	
2	Low Temp. Storage	-20°C	120HR		Appearance without defect	
3	High Temp. & High Humidity Storage	40°C 90%RH	120HR		Appearance without defect	
4	Thermal Shock	-20°C,30min → 25°C,5min → 60°C,30min → 25°C,5min (= 1 cycle)			Appearance without defect	5 cycles

13.LCD PRODUCT QUALITY STANDARD

(1) DISPLAY APPEARANCE

NO	ITEM	C R I T E R I A															
1.	INCLUSIONS (BLACK SPOT , WHITE SPOT , DUST)	(1) ROUND TYPE															
		<table border="1"> <thead> <tr> <th colspan="3">DIAMETER mm (a*)</th> <th>NO. OF DEFECT*</th> </tr> </thead> <tbody> <tr> <td>0.20</td> <td>< a</td> <td>≦ 0.20</td> <td>NEGLECT</td> </tr> <tr> <td>0.35</td> <td>< a</td> <td>≦ 0.35</td> <td>5 MAX</td> </tr> <tr> <td></td> <td></td> <td></td> <td>NONE</td> </tr> </tbody> </table>	DIAMETER mm (a*)			NO. OF DEFECT*	0.20	< a	≦ 0.20	NEGLECT	0.35	< a	≦ 0.35	5 MAX			
DIAMETER mm (a*)			NO. OF DEFECT*														
0.20	< a	≦ 0.20	NEGLECT														
0.35	< a	≦ 0.35	5 MAX														
			NONE														
		(2) LINEAR TYPE															
		<table border="1"> <thead> <tr> <th>LENGTH mm(L)</th> <th>WIDTH mm(W)</th> <th>NO. OF DEFECT</th> </tr> </thead> <tbody> <tr> <td>N A</td> <td>W ≦ 0.03</td> <td>NEGLECT</td> </tr> <tr> <td>L ≦ 3</td> <td>0.03 < W ≦ 0.08</td> <td>6</td> </tr> <tr> <td>3 < L</td> <td>0.08 < W</td> <td>NONE</td> </tr> </tbody> </table>	LENGTH mm(L)	WIDTH mm(W)	NO. OF DEFECT	N A	W ≦ 0.03	NEGLECT	L ≦ 3	0.03 < W ≦ 0.08	6	3 < L	0.08 < W	NONE			
LENGTH mm(L)	WIDTH mm(W)	NO. OF DEFECT															
N A	W ≦ 0.03	NEGLECT															
L ≦ 3	0.03 < W ≦ 0.08	6															
3 < L	0.08 < W	NONE															
2.	SCRATCH	1.SCRATCH ON PROTECTIVE FILM IS PERMITTED . 2.SCRATCH ON POLARIZER SHALL BE AS FOLLOW: (1) ROUND TYPE															
		<table border="1"> <thead> <tr> <th colspan="3">DIAMETER mm (a*)</th> <th>NO. OF DEFECT*</th> </tr> </thead> <tbody> <tr> <td>0.15</td> <td>< a</td> <td>≦ 0.15</td> <td>NEGLECT</td> </tr> <tr> <td>0.20</td> <td>< a</td> <td>≦ 0.20</td> <td>2 MAX</td> </tr> <tr> <td></td> <td></td> <td></td> <td>NONE</td> </tr> </tbody> </table>	DIAMETER mm (a*)			NO. OF DEFECT*	0.15	< a	≦ 0.15	NEGLECT	0.20	< a	≦ 0.20	2 MAX			
DIAMETER mm (a*)			NO. OF DEFECT*														
0.15	< a	≦ 0.15	NEGLECT														
0.20	< a	≦ 0.20	2 MAX														
			NONE														
		(2) LINEAR TYPE BE JUDGED BY 1.-(2) LINEAR TYPE															
3.	DENT	DIAMETER < 1.5mm															
4.	BUBBLE	NOT EXCEEDING 0.5mm AVERAGE DIAMETER IS ACCEPTABLE BETWEEN GLASS AND POLARIZING FILM.															
5.	PIN HOLE	(a+b)/2 ≦ 0.15 mm MAXIMUM NUMBER:IGNORED 0.15 < (a+b)/2 ≦ 0.20 MAXIMUM NUMBER:10															
6.	DOT DEFECT	(a+b)/2 ≦ 0.20 mm MAXIMUM NUMBER:IGNORED 0.20 < (a+b)/2 ≦ 0.30 MAXIMUM NUMBER:5 x = WIDTH															
7.	CONTRAST IRREGULARITY (SPOT)	DIAMETER SPEC. a ≦ 0.50 mm 0.50 < a ≦ 0.75 0.75 < a ≦ 1.00 1.00 < a	NO. OF DEFECT* NEGLECT 5 3 NONE														
8.	DOT WIDTH	DESIGN WIDTH±15%															
9.	COLOR TONE AND UNIFORMITY	OBVIOUS UNEVEN COLOR IS NOT PERMITTED															

(2) NOTE:

- SAFETY

- 1.If the LCD panel breaks, be careful not to allow the liquid crystal to touch your skin.
- 2.If the liquid crystal touches your skin or clothes, please wash it off immediately by using soap and water.

- HANDLING

- 1.Prevent all contact with static electricity, which can damage the CMOS ICs. The module is packaged in a static-shielding bag to prevent damage during shipment, warehousing and removal from the shipping carton.
- 2.Do not remove the panel or frame from the module.
- 3.The polarizing plate on the front surface of the display is very fragile and easily scratched. The module is shipped with a protective liner which must be removed from the polarizing plate prior to assembly.
- 4.Do not wipe the polarizing plate with a dry cloth, as it may easily scratch the surface of polarizing plate.
- 5.Do not use ketonics solvent or aromatic solvent on the polarizing plate. Use a soft cloth soaked with plastic-lens cleaning solution.

- STORAGE

- 1.Store the panel or module in a dark place where the temperature is $25^{\circ}\text{C}\pm 5^{\circ}\text{C}$ and the humidity is below 65% RH.
- 2.Do not place the module near organics solvents or corrosive gases.
- 3.Do not crush, shake, or jolt the module.

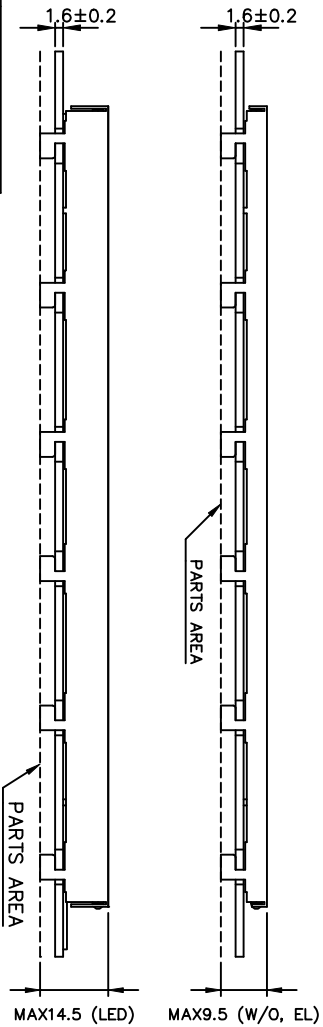
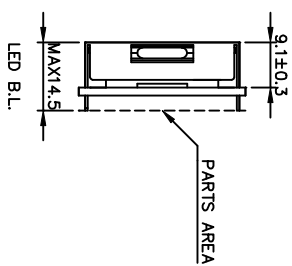
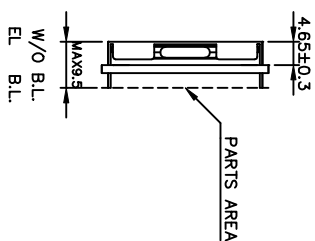
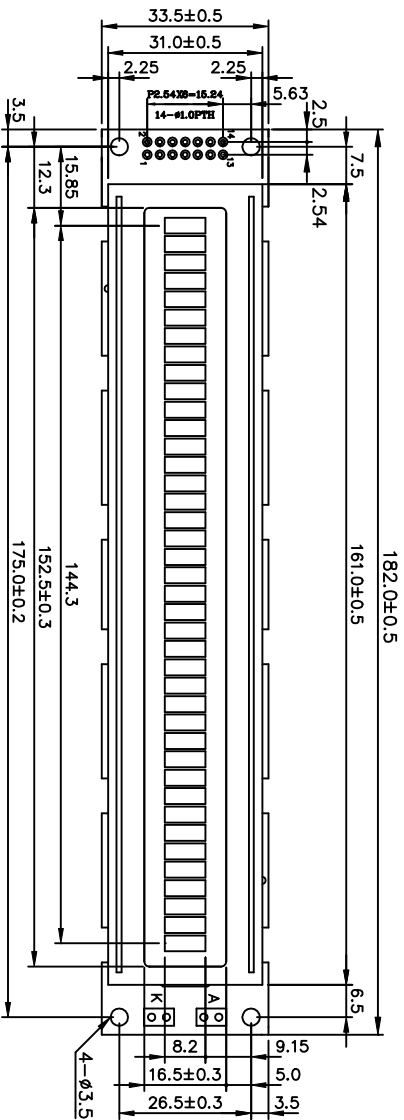
- TERMS OF WARRANTY

- 1.Acceptance inspection period
The inspection period is within one month after the arrival of the contracted goods at the buyer's factory site.
- 2.Applicable warranty period
The warranty period is within twelve months from the date of invoice under normal usage and storage conditions.

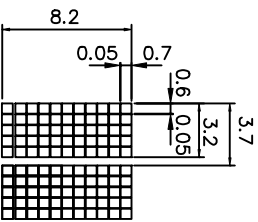
- TYPICAL OPERATING LIFETIME OF BACKLIGHT

- LED : 50,000HR
EL : 5,000HR
CCFT : 10,000HR

REV/DATE	R0/ 11.20.97'					APP	CHK	BY
----------	------------------	--	--	--	--	-----	-----	----



PinNo.	Symbol	Level	Function
1	VSS	-	0V
2	VDD	-	+5V
3	V ₀	-	Power supply
4	RS	H/L	INSTRUCTION CODE INPUT
5	R/W	H/L	LEADIN AND/ OR (FROM CPU TO CPU)
6	E	H,H->L	LEADIN WRITE (FROM CPU TO CPU)
7	DB0	H/L	ENABLE SIGNAL
8	DB1	H/L	DATA BUS LINE
9	DB2	H/L	
10	DB3	H/L	
11	DB4	H/L	
12	DB5	H/L	
13	DB6	H/L	
14	DB7	H/L	



Note :

- 1.Resolution : 40X1 Characters
- 2.Character Format : 5X11 Dots
- 3.General Tolerance : ±0.5mm

產品編號	LM_J3_035	南亞塑膠工業股份有限公司
NAME		NAN YA PLASTICS CORPORATION
DATE		
APPROVE		製器圖
CHECK		DWG-NO
DESIGN		MX-X035X
DRAW		Rev.A
MAY PING	86.11.20	UNIT : mm
		SCALE :
		THIRD ANGLE PROJECT