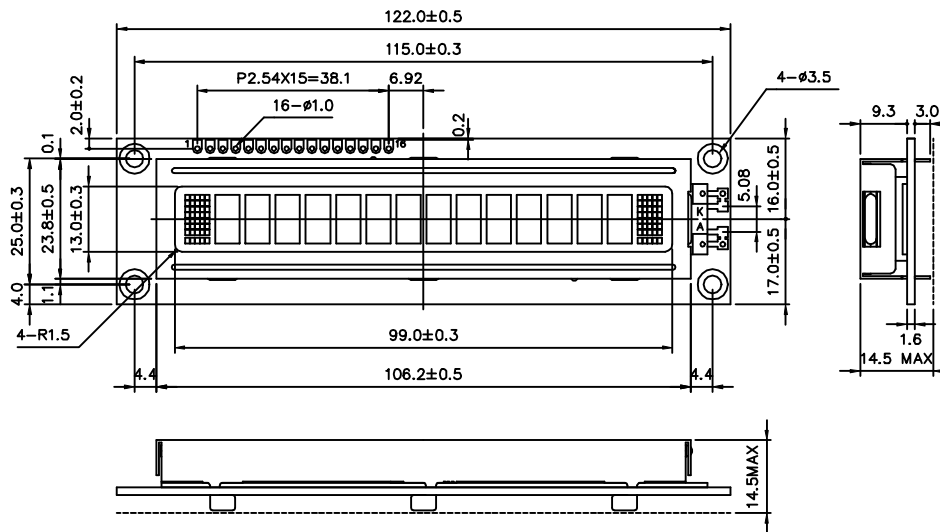


PinNo.	Symbol
1	VSS
2	VDD
3	Vo
4	RS
5	R/W
6	E
7	DB0
8	DB1
9	DB2
10	DB3
11	DB4
12	DB5
13	DB6
14	DB7
15	NC
16	NC

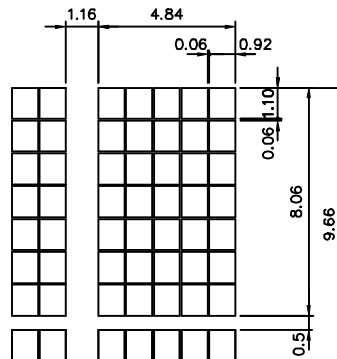
NOTES :

- 1.RESOLUTION : 16 X 1 CHARACTERS
- 2.BACKLIGHT : WITHOUT

產品編號		LMKC3_006_2E	南亞塑膠工業股份有限公司	
			NAN YA PLASTICS CORPORATION	
APPROVE	NAME	DATE	TITLE	外觀尺寸圖
CHECK			DWG-NO	MKBX006X2XE Rev.A
DESIGN				
DRAW	MAY PING	86.05.07	UNIT	mm
			SCALE	1/1



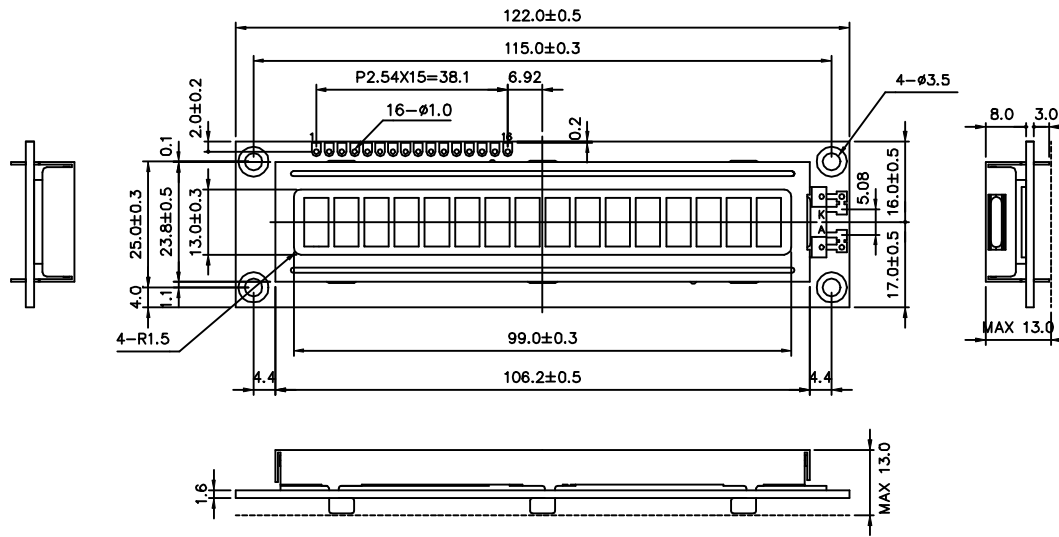
PinNo.	Symbol
1	VSS
2	VDD
3	Vo
4	RS
5	R/W
6	E
7	DB0
8	DB1
9	DB2
10	DB3
11	DB4
12	DB5
13	DB6
14	DB7
15	A
16	K



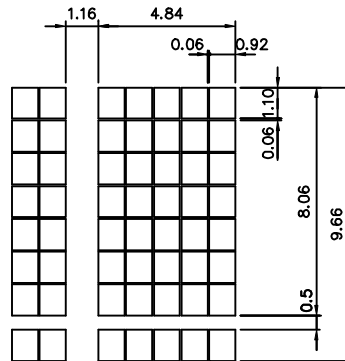
NOTES :

- 1.RESOLUTION : 16 X 1 CHARACTERS
- 2.BACKLIGHT : ARRAY LED (YELLOW GREEN)

產品編號		LMMC3_006_2E	南亞塑膠工業股份有限公司 NAN YA PLASTICS CORPORATION	
APPROVE	NAME	DATE	TITLE	外觀尺寸圖
CHECK			DWG-NO	MMBX006X2XEX Rev.A
DESIGN			UNIT : mm SCALE : 1/1	
DRAW	MAY PING	86.05.07		




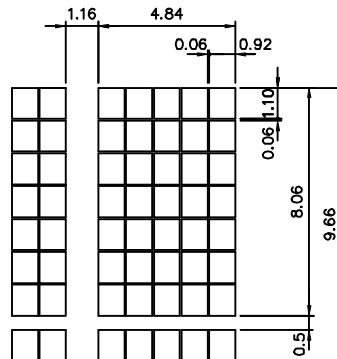
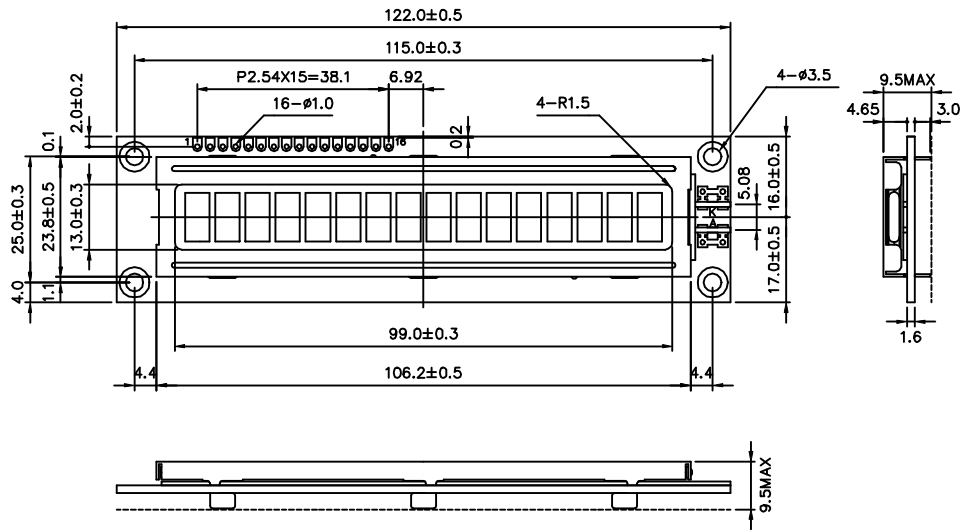
PinNo.	Symbol
1	VSS
2	VDD
3	Vo
4	RS
5	R/W
6	E
7	DB0
8	DB1
9	DB2
10	DB3
11	DB4
12	DB5
13	DB6
14	DB7
15	A
16	K



NOTES :

- 1.RESOLUTION : 16 X 1 CHARACTERS
- 2.BACKLIGHT : EDGE LED (YELLOW GREEN)

產品編號		LMMC3_006_1E	南亞塑膠工業股份有限公司	
			NAN YA PLASTICS CORPORATION	
APPROVE	NAME	DATE	TITLE	外觀尺寸圖
CHECK			DWG-NO	MMBX006X1EX Rev.A
DESIGN			 UNIT : mm SCALE : 1/1	
DRAW	MAY PING	85.05.15		



PinNo.	Symbol
1	VSS
2	VDD
3	Vo
4	RS
5	R/W
6	E
7	DB0
8	DB1
9	DB2
10	DB3
11	DB4
12	DB5
13	DB6
14	DB7
15	A
16	K

NOTES :

- 1.RESOLUTION : 16 X 1 CHARACTERS
- 2.BACKLIGHT : EL (WHITE)

產品編號		LMNC3_006_2E	南亞塑膠工業股份有限公司 NAN YA PLASTICS CORPORATION	
APPROVE	NAME	DATE	TITLE	外觀尺寸圖
CHECK			DWG-NO	MNBX006X2E Rev.A
DESIGN			 UNIT : mm SCALE : 1/1	
DRAW	MAY PING	86.05.07	THIRD ANGLE PROJECT	